

Duo Island Bath

Product Code: **DU1850W**

 MADE IN AUSTRALIA

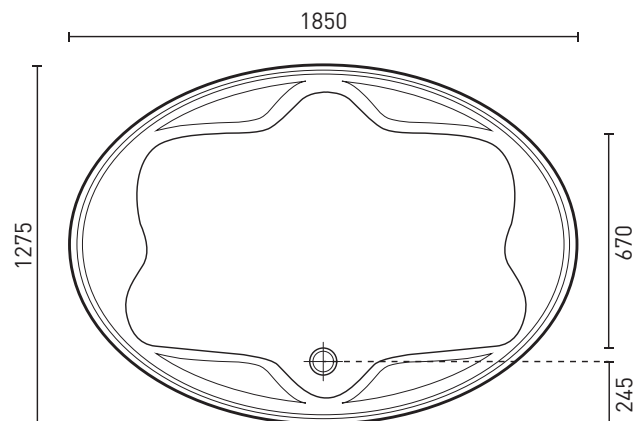


The Duo's classic oval design makes it a show stopping addition, perfect for larger bathrooms. Moulded arm rests & back supports, plus large water capacity combine to provide superb comfort for two bathers.

- AS/NZ Standard 2023/1995
- Double reinforced bath base
- Suitable for dual bathing
- Moulded arm rests

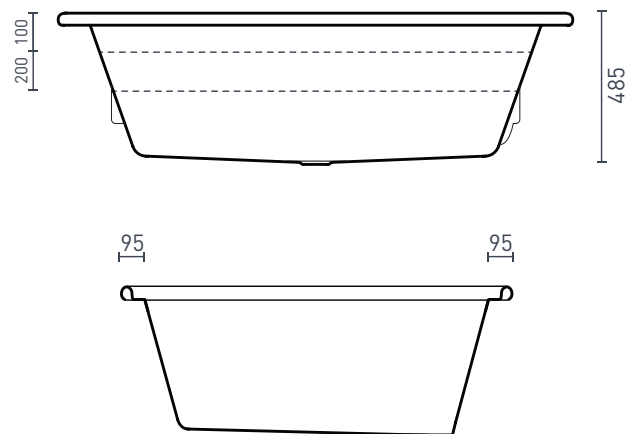
PRODUCT SPECIFICATIONS

Colour:	High Gloss White
Material:	Premium Sanitary grade acrylic
Length:	1850mm
Width:	1275mm
Height:	485mm
Capacity:	295L [200mm below the bath rim]
Bath Type:	Island
Waste Position:	Front
Net Weight:	28kg
Warranty:	15 years* (refer to decina.com.au)



OPTIONAL ACCESSORIES

- 40mm Removable pop-up waste *Chrome* **WA001**
White Gloss **WA002**, *Black Matte* **WA003**
- Pop-up waste & overflow kit *Chrome* **OWA001**
- Pop-down waste & overflow kit *Chrome* **OWA002**
- Pop-down waste & overflow kit *Black* **OWA003**
- Sia Headrest *Curved Black* **SY242-B**



DECINA
DISCOVER INDULGENCE

DECINA.COM.AU 1300 DECINA   

*Warranty T&Cs apply, visit decina.com.au Decina reserves the right to change specifications without notice. Due to manufacturing tolerances dimensions may vary +/- 5mm. We recommend installation does not start until after delivery. Please confirm all particulars prior to purchase, call 1300 DECINA or visit decina.com.au